

# WELL CONTROL INSTRUMENTATION

## ZONE 1 MANIFOLD TEMPERATURE SENSOR



ELECTRO-FLOW  
CONTROLS

FINESCALE GAUGES LIQUID SEAL MONITOR HPHT MONITORING GLYCOL INJECTION BOP & CHOKE CONTROL OVERBOARD VALVE CONTROL



### ZONE 1 MANIFOLD TEMPERATURE SENSOR

- KILL UPSTREAM
- CHOKE UPSTREAM
- KILL DOWNSTREAM
- CHOKE DOWNSTREAM

### KEY BENEFITS

- SENSOR CAN MONITOR THE TEMPERATURE OF FLOWING MUD INSTEAD OF THE “DEAD END”
- SENSOR DOES NOT INTRUDE INTO FLOWING MUD AND GAS
- NO THERMOWELL PORTS OR COMPANION FLANGE CONNECTIONS REQUIRED
- 4-20mA OUTPUT



DESIGNED & CONSTRUCTED  
TO OPERATE IN ZONE 1 AREAS



# WELL CONTROL INSTRUMENTATION

## ZONE 1 MANIFOLD

### TEMPERATURE SENSOR



**ELECTRO-FLOW CONTROLS**

FINESCALE GAUGES LIQUID SEAL MONITOR HPHT MONITORING GLYCOL INJECTION BOP & CHOKE CONTROL OVERBOARD VALVE CONTROL

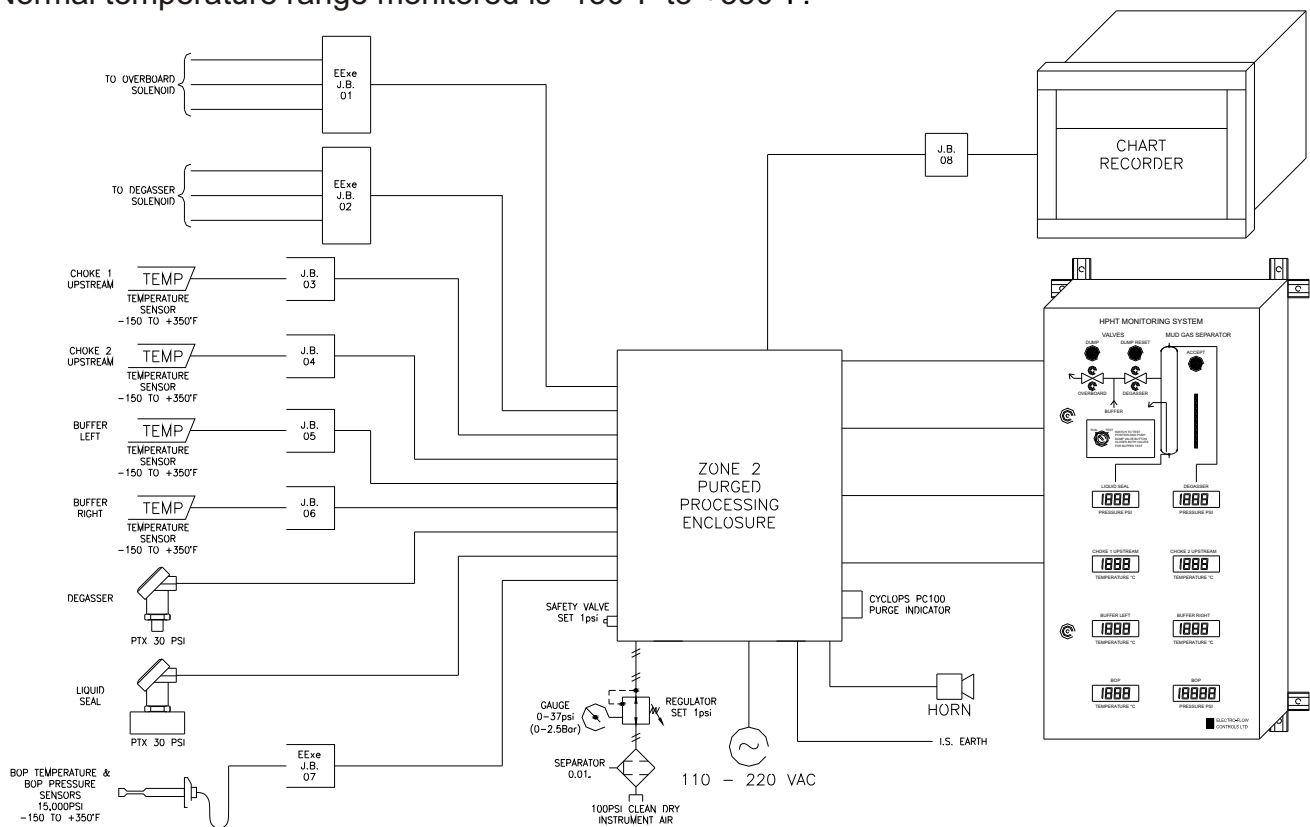
EFC's Temperature Sensor is designed to monitor skin temperature of manifold temperature, typically in 4 locations: Upstream and Downstream of both Remote Chokes and often at the Poorboy Degasser.

Each Zone 1 Manifold Temperature Sensor Assembly consists of an insulated temperature sensor, signal conditioning module, local junction box, documentation, certification and Installation Manual

The Temperature Sensor assembly straps to a pipe section at any convenient point. Ideally, the pipe section available should be approx. 600mm, however shorter lengths can be accommodated if needed.

Temperature sensors are suitable for pipe ODs of between 4" & 6". Alternative sizes of pipe OD can be accommodated. It is recommended to locate the sensors on the Choke and Kill lines immediately upstream of the Choke & Kill Manifold and immediately downstream of the remote Chokes.

Normal temperature range monitored is -150°F to +350°F.



*Temperature Sensors within HPHT System*

**ELECTRO-FLOW CONTROLS LTD**

Block 1, Units 3-7  
 Souterhead Road  
 Altens  
 Aberdeen AB12 3LF Scotland UK  
 T: +44 (0) 1224 249355  
 F: +44 (0) 1224 249339  
 E: infouk@electroflowcontrols.com

[www.electroflowcontrols.com](http://www.electroflowcontrols.com)

**ELECTRO-FLOW CONTROLS**

1424 West Sam Houston Parkway North  
 Suite 140  
 Houston  
 Texas 77043 USA  
 T: +1 713 468 5325  
 F: +1 713 468 3498  
 E: infousa@electroflowcontrols.com

